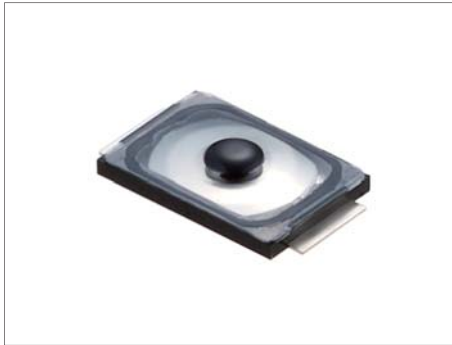


SKSWD Series TACT Switch™ Compact Water proof Type

Compact, low-profile TACT Switch™ achieving high dust and water resistance



Features

- Industry's smallest* and thinnest
- IP68 dust and water resistance
- Projection structure facilitates handling during installation

Applications

- Wearable computers and healthcare devices
- Smartphones
- Other compact devices requiring water resistance

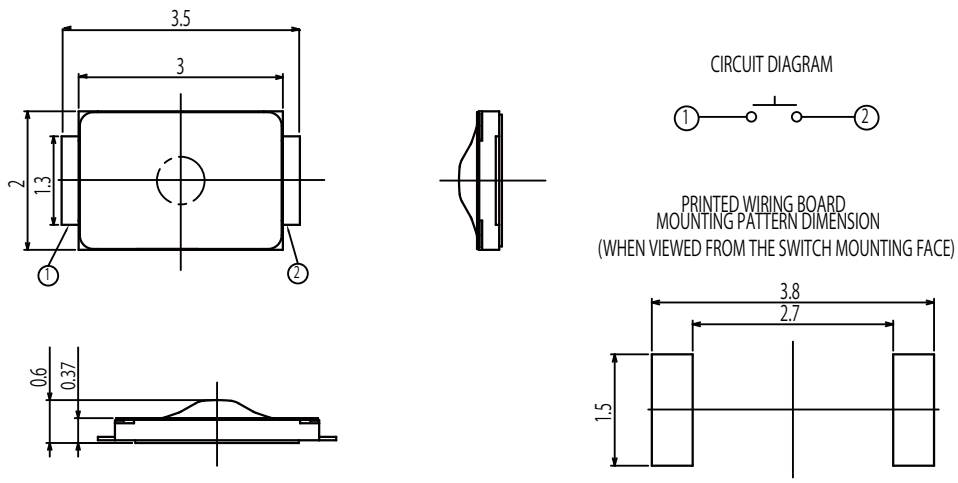
*According to Alps Electric research as of September 2015

Typical Specifications

Dimensions (W×D×H)	3.0 × 2.0 × 0.6 mm
Operating force	2.4 N
Travel	0.13 mm
Operating Life	300,000 cycles
Rating (max.)	50mA 12VDC
Contact resistance	500 mΩ max.
Protective structure	IP68

Dimensions

Unit : mm



Precautions when handling our products

●For the export of products which are controlled items subject to foreign and domestic export laws and regulations, you must obtain approval and/or follow the formalities of such laws and regulations. ●Products must not be used for military and/or antisocial purposes such as terrorism, and shall not be supplied to any party intending to use the products for such purposes. ●Unless provided for otherwise, the products have been designed and manufactured for application in equipment and devices which are sold to end users in the market, including audio-visual (AV) equipment, electrical home appliances, office machines, information and communication equipment, and amusement equipment. The products are not intended for use in, and must not be used for, any application for nuclear equipment, driving equipment for aerospace or any other unauthorized use. With the exception of the abovementioned prohibited applications, please contact an Alps sales representative and/or evaluate the total system regarding applicability for applications involving high levels of safety and liability such as medical equipment, burglar alarm equipment, disaster prevention equipment and undersea equipment. Please also incorporate fail-safe design, protection and redundant circuitry, malfunction protection, and/or fire protection into the complete system to ensure safety and reliability of the total system. ●Before using products which were not specifically designed for use in automotive applications, please contact an Alps sales representative.

Cautions for using this catalog

●Specifications provided in this catalog are an outline only. Please obtain formal delivery specifications before use. ●Colors of products shown in this catalog may differ slightly from those of the actual products. ●Product names, company names and names of standards appearing in this catalog are generally trademarks or registered trademarks of their respective owners. ●Please contact us if you have any inquiries about the products and their use. ●This catalog is valid until December 31, 2015.

Inquiries about this product

■Product Information Center +81 (3) 5499-8154
■Product Information URL <http://www.alps.com/products/e/>

ALPS ELECTRIC CO., LTD.
1-7, Yukigaya-otsukamachi, Ota-ku, Tokyo, 145-8501, Japan